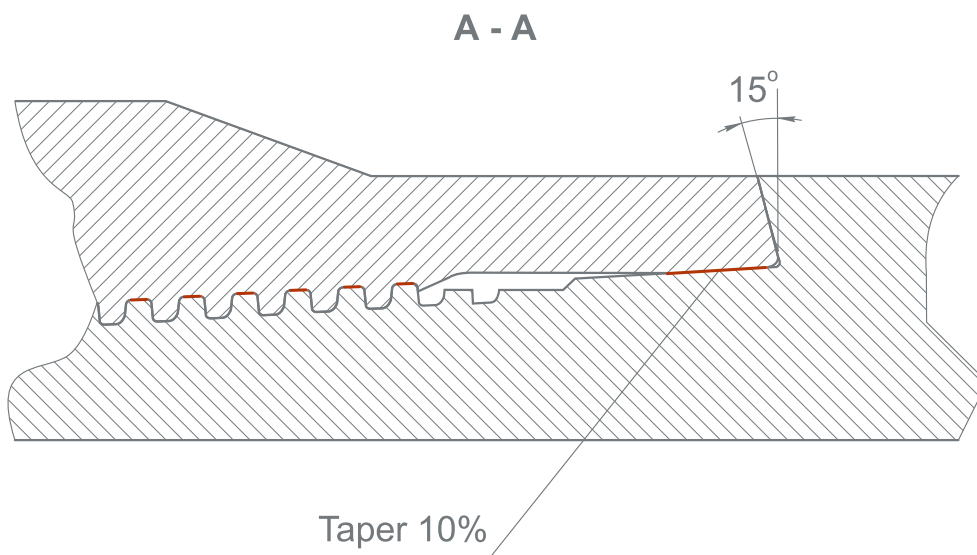
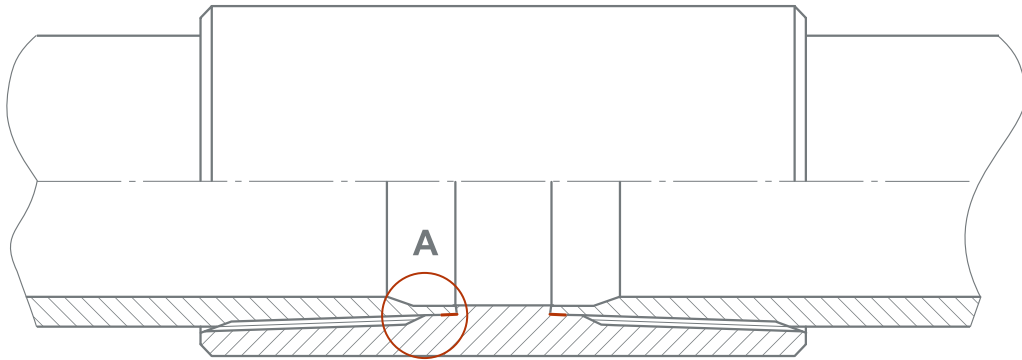
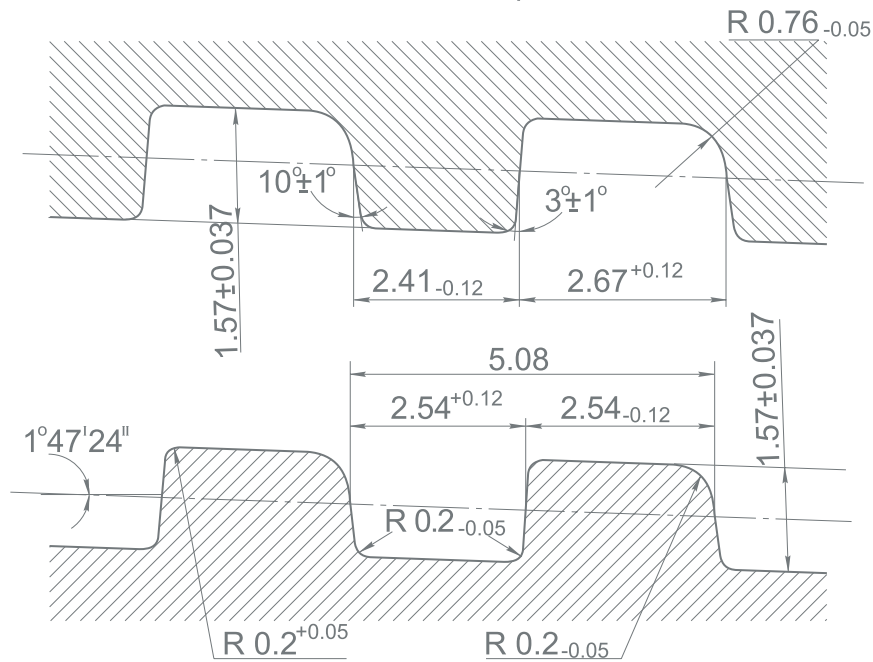


GAS-TIGHT PREMIUM CONNECTION UPJ CASING – ISO 11960/API 5CT



5" - 9 5/8" 5 threads per inch



Sizes, masses, wall thickness:

Size designation	Outside diameter		Wall thickness		Weight		Steel grade
	in	mm	in	mm	lb/ft	kg/m	
5 1/2	5.500	139.70	0.275	6.98	15.50	23.07	H40, J55, K55, N80(1), N80(Q), R95, M65, L80(1), C90, T95, C110, P110, Q125
			0.304	7.72	17.00	25.30	H40, J55, K55, N80(1), N80(Q), R95, M65, L80(1), C90, T95, C110, P110, Q125
			0.361	9.17	20.00	29.76	H40, J55, K55, N80(1), N80(Q), R95, M65, L80(1), C90, T95, C110, P110, Q125
			0.415	10.54	23.00	34.23	H40, J55, K55, N80(1), N80(Q), R95, M65, L80(1), C90, T95, C110, P110, Q125
6 5/8	6.625	168.28	0.288	7.32	20.00	29.76	H40, J55, K55, N80(1), N80(Q), R95, M65, L80(1), C90, T95, C110, P110, Q125
			0.352	8.94	24.00	35.72	H40, J55, K55, N80(1), N80(Q), R95, M65, L80(1), C90, T95, C110, P110, Q125
			0.417	10.59	28.00	41.67	H40, J55, K55, N80(1), N80(Q), R95, M65, L80(1), C90, T95, C110, P110, Q125
			0.475	12.06	32.00	47.62	H40, J55, K55, N80(1), N80(Q), R95, M65, L80(1), C90, T95, C110, P110, Q125
7	7.000	177.80	0.317	8.05	23.00	34.23	H40, J55, K55, N80(1), N80(Q), R95, M65, L80(1), C90, T95, C110, P110, Q125
			0.362	9.19	26.00	38.69	H40, J55, K55, N80(1), N80(Q), R95, M65, L80(1), C90, T95, C110, P110, Q125
			0.408	10.36	29.00	43.16	H40, J55, K55, N80(1), N80(Q), R95, M65, L80(1), C90, T95, C110, P110, Q125
			0.453	11.51	32.00	47.62	H40, J55, K55, N80(1), N80(Q), R95, M65, L80(1), C90, T95, C110, P110, Q125
			0.498	12.65	35.00	52.09	H40, J55, K55, N80(1), N80(Q), R95, M65, L80(1), C90, T95, C110, P110, Q125
			0.540	13.72	38.00	56.55	H40, J55, K55, N80(1), N80(Q), R95, M65, L80(1), C90, T95, C110, P110, Q125
9 5/8	9.625	244.48	0.352	8.94	36.00	53.58	H40, J55, K55, N80(1), N80(Q), R95, M65, L80(1), C90, T95, C110, P110, Q125
			0.395	10.03	40.00	59.53	H40, J55, K55, N80(1), N80(Q), R95, M65, L80(1), C90, T95, C110, P110, Q125
			0.435	11.05	43.50	64.74	H40, J55, K55, N80(1), N80(Q), R95, M65, L80(1), C90, T95, C110, P110, Q125
			0.472	11.99	47.00	69.95	H40, J55, K55, N80(1), N80(Q), R95, M65, L80(1), C90, T95, C110, P110, Q125
			0.545	13.84	53.50	79.62	H40, J55, K55, N80(1), N80(Q), R95, M65, L80(1), C90, T95, C110, P110, Q125
			0.595	15.11	58.40	86.91	H40, J55, K55, N80(1), N80(Q), R95, M65, L80(1), C90, T95, C110, P110, Q125